



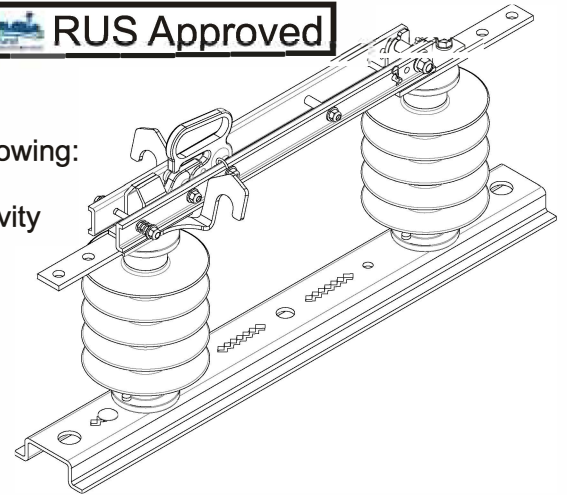
ALUMA-FORM[®]

Hookstick-operated Disconnect Switch

Hookstick-operated Disconnect Switch

The Aluma-Form “HDS” switches are a best in class design that is a simple and reliable. Our hookstick operated disconnects feature the following:

- Silver plated blade assembly that provides superior electrical conductivity
- Blade design that provides mechanical rigidity
- Silver plated contact designed to maintain contact pressure
- Positive latch, effective pry-out mechanism
- Precision formed hinge terminal for low resistance connection
- Integral 90° blade stop

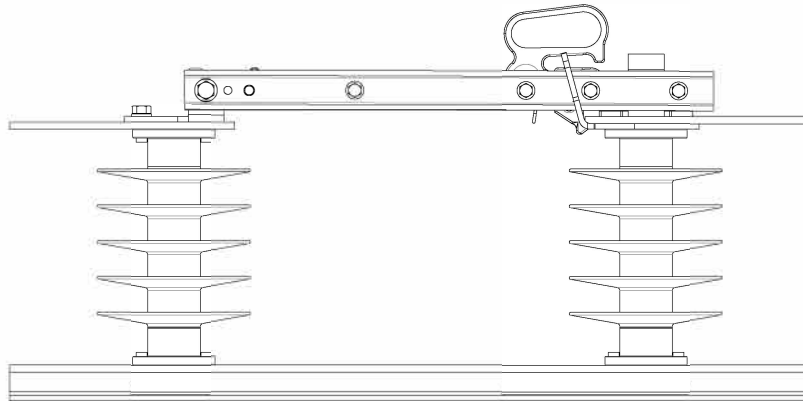


Application

The Aluma-Form “HDS” Disconnect Switch is a single-phase hookstick operated switch for manual switching of overhead lines on electrical distribution systems up to 38kV. Our HDS switches have ratings for 600 or 900 amps continuous, 40,000 amps momentary and 25,000 amps sym. 1-second short-time withstand.

Operation

All Aluma-Form “HDS” disconnect switches include loadbreak hooks which are for use with a loadbreak tool for opening the switch under load. **WARNING:** To open the switch under load, use only an approved loadbreak tool and refer to the tool manufacturer for instructions. Silver-plated blades and contacts enhance efficient current transfer



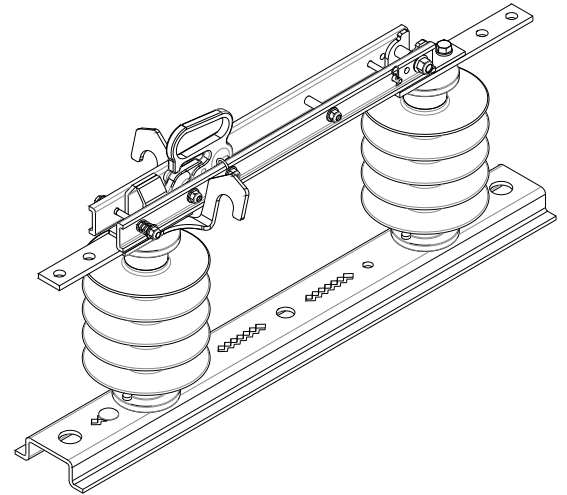
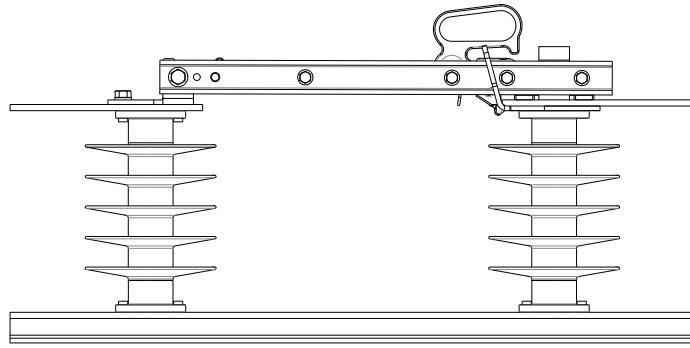
kV Class	Rated BIL	Material	Switch Electrical Ratings				Insulator Mechanical Ratings			
			Leakage distance (inches)	Dry Arc distance (inches)	60 Hz - Flashover (kV)		Cantilever Load (lbs)	Tension (lbs)	Torsion (lbs)	Compression (lbs)
					Wet	Dry				
15	110	Silicone	17.2	7.1	30	38	1,200	5,000	3,000	5,000
		Porcelain	10.5	6	30	38	1,200	5,000	3,000	5,000
27	125	Silicone	21.9	8.1	50	60	1,000	5,000	3,000	5,000
		Porcelain	15.5	7	50	60	1,000	5,000	3,000	5,000
38	150	Silicone	28	10	60	70	800	5,000	3,000	5,000
		Porcelain	24	9.5	60	70	800	5,000	3,000	5,000



ALUMA-FORM®

Hookstick-operated Disconnect Switch

Hookstick-operated Disconnect Switch



HDS - 600A - 15S - 110 - A S 2A

Hookstick
Disconnect
Switch

600 Amp
900 Amp

15kV
27kV
38kV

Silicone Insulator
Porcelain Insulator

110 BIL (15kV)
125 BIL (27kV)
150 BIL (38kV)

Galv. Steel Base - D
Aluminum Base - A

Serrated Slots - T
Smooth Slots - S

No Hardware - 0
3/8" X 8" Carriage Bolts - 1
3/8" X 10" Carriage Bolt - 2
1/2" X 10" Hex Bolts - 3

No Backplate - 0
Galv. Steel Backplate - D
Aluminum Backplate - A